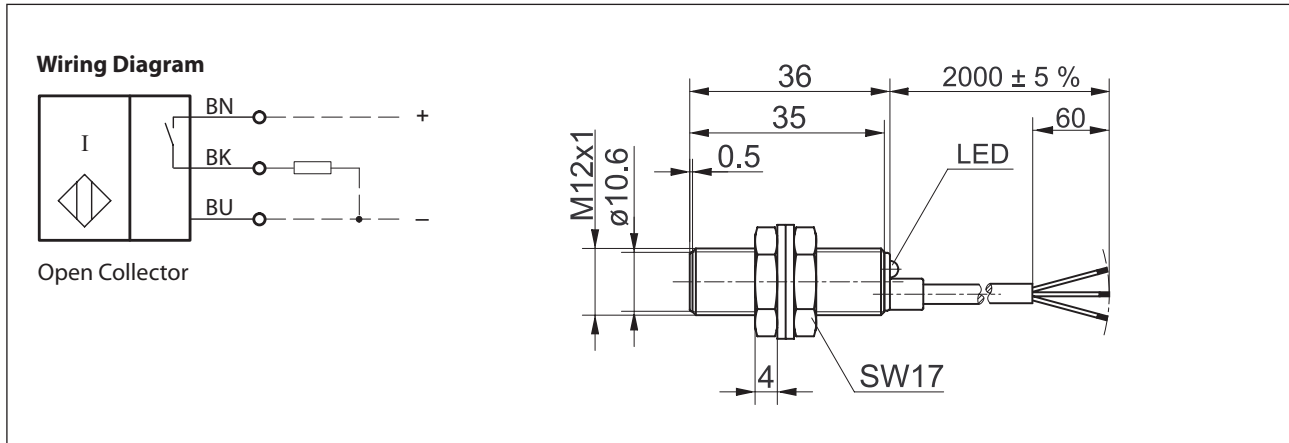


## Inductive Proximity Switch Series M12

Description **KIB-M12PS/004-KL2VE**

Article number **6502903023**



### Identifying characteristics in accordance with EN 60947-5-2

Electrical data		
Rated operating distance	$S_n$	4 mm
Standard target		12 mm x 12 mm, t = 1 mm, material: FE360
Real sensing distance	$S_r$	3,6 ... 4,4 mm
Assured operating distance	$S_a$	0 ... 3,2 mm
Switching element function		DC, N.O.
Repeat accuracy	R	≤ 5 %
Differential travel (hysteresis)	H	≈ 10 %
Operational voltage range	$U_B$	10 - 36 V DC
Rated insulation voltage	$U_i$	75 V DC
Rated impulse withstand voltage	$U_{imp}$	500 V
Voltage drop	$U_d$	≤ 1,6 V
Utilization category		DC 13
Rated operational current	$I_e$	200 mA
Minimum operating current	$I_m$	1 mA
Off-state current	$I_r$	< 0,1 mA
No-load supply current	$I_o$	≤ 11 mA
Switching element		permanent overload and s.c.p.
Short-circuit protection		pulsed
Frequency of operating cycles	f	800 Hz
Mounting		flush
False polarity protection		yes
Time delay before availability	$t_v$	≤ 100 ms

<b>Mechanical Data</b>	
Front cap	PA 6.6, black
Enclosure	Brass, nickel plated
End cap	PA 6, black
Ambient air temperature	-25 °C ... +70 °C
Type of protection	IP67
Degree of pollution	3 (Pollution of the active zone can cause impairments of the operating distances)
Indication	LED, yellow
Termination type	Cable 3 x 0,14 mm <sup>2</sup> ; PVC-Outer jacket, black
For attachment	2 x hexagon nut and 2 x toothed washer

<b>Product reliability (in acc. with DIN EN 61709 (SN 29500))</b>	
MTTF	> 1150 years (Confidence level (CL) 60 %, Mean ambient air temperature 40 °C)

<b>EU Conformity</b>	
acc. to directive 2014/30/EU (EMC-Directive)	